



karaoke NIGHT

**CD+G Karaoke Machine with Dancing Water Display and
LED Light Show**



KN275 USER MANUAL

**USB FLASH
DRIVE**
COMPATIBLE

MP3
COMPATIBLE

PLEASE READ THIS USER MANUAL COMPLETELY BEFORE OPERATING
THIS UNIT AND RETAIN THIS BOOKLET FOR FUTURE REFERENCE

For further information on this model and the entire lineup of Karaoke Night products,
please visit www.karaokenightusa.com

COMPLIANCE WITH FCC REGULATIONS

This device complies with Part 15 of the FCC Rules. Operation is subject to the following two conditions:

- (1) This device may not cause harmful interference, and
- (2) This device must accept any interference received, including interference that may cause undesired operation.

This equipment has been tested and found to comply with the limits for a class B digital device, pursuant to Part 15 of the FCC Rules. These limits are designed to provide reasonable protection against harmful interference in a residential installation. This equipment generates uses and can radiate radio frequency energy and, if not installed and used in accordance with the instructions, may cause harmful interference to radio communications. However, there is no guarantee that interference will not occur in a particular installation. If this equipment does cause harmful interference to radio or television reception, which can be determined by turning the equipment off and on, the user is encouraged to try to correct the interference by one or more of the following measures:

- Reorient or relocate the receiving antenna.
- Increase the separation between the equipment and receiver.
- Connect the equipment into an outlet on a circuit different from that to which the receiver is connected.
- Consult the dealer or an experienced radio/TV technician for help.

CAUTION: Changes or modifications not expressly approved by the party responsible for compliance could void the user's authority to operate the equipment.

DEAR KARAOKE NIGHT CUSTOMER

Selecting fine audio equipment such as the unit you've just purchased is only the start of your musical enjoyment. Now it's time to consider how you can maximize the fun and excitement your equipment offers. This manufacturer and the Electronic Industries Association's Consumer Electronics Group want you to get the most out of your equipment by playing it at a safe level. One that lets the sound come through loud and clear without annoying blaring or distortion and, most importantly, without affecting your sensitive hearing.

Sound can be deceiving. Over time your hearing "comfort level" adapts to higher volumes of sound. So what sounds "normal" can actually be loud and harmful to your hearing. Guard against this by setting your equipment at a safe level BEFORE your hearing adapts.

To establish a safe level:

- Start your volume control at a low setting.
- Slowly increase the sound until you can hear it comfortably and clearly, and without distortion.

Once you have established a comfortable sound level:

- Set the dial and leave it there.

Taking a minute to do this now will help to prevent hearing damage or loss in the future. After all, we want you listening for a lifetime.

We Want You Listening For a Lifetime

Used wisely, your new sound equipment will provide a lifetime of fun and enjoyment. Since hearing damage from loud noise is often undetectable until it is too late, this manufacturer and the Electronic Industries Association's Consumer Electronics



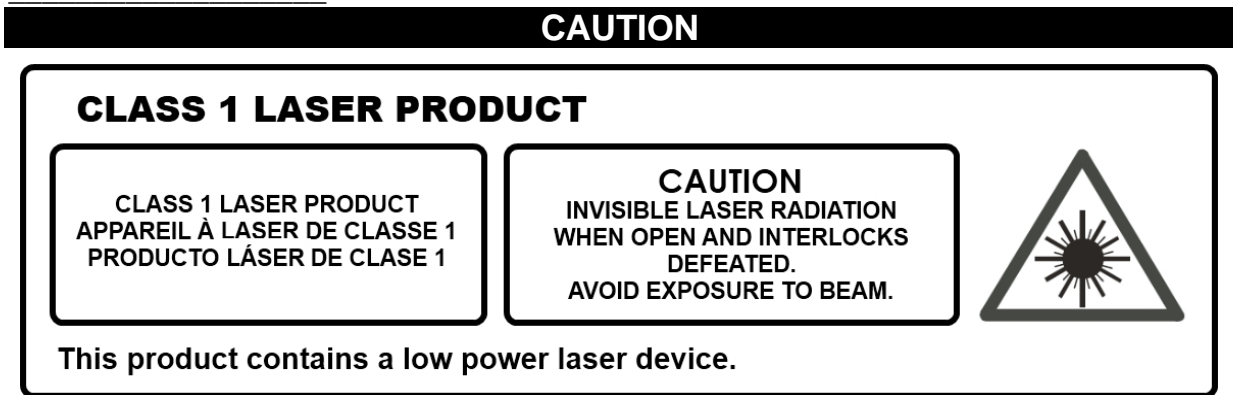
Group recommend you avoid prolonged exposure to excessive noise.

Customer's Record:

The serial number of this product is found on its bottom. You should note the serial number of this unit in the space provided as a permanent record of your purchase to aid in identification in the event of theft or loss.

Model Number: KN275

Serial Number :



Follow the advice below for safe operations.

ON PROTECTION AGAINST LASER ENERGY EXPOSURE

- ◆ As the laser beam used in this compact disc player is harmful to the eyes, do not attempt to disassemble the casing.
- ◆ Stop operation immediately if any liquid or solid object should fall into the cabinet.
- ◆ Do not touch the lens or poke at it. If you do, you may damage the lens and the player may not operate properly.
- ◆ Do not put anything in the safety slot. If you do, the laser diode will be “ON” when the CD door is still open.
- ◆ If the unit is not to be used for a long period of time, make sure that the power source is disconnected from the unit. Unplug the AC cord from the wall outlet. Make it a practice to remove the AC cord by grasping the main body and not by pulling the cord.
- ◆ This unit employs a laser. The use of controls or adjustment or performance of procedures other than those specified here may result in exposure to hazardous radiation.

ON PLACEMENT

- ◆ Do not use the unit in places which are extremely hot, cold, dusty or humid.
- ◆ Place the unit on a flat and even surface.
- ◆ Do not restrict the air flow of the unit by placing it in a place with poor ventilation, by covering it with a cloth or by placing it on a carpet.

ON CONDENSATION

- ◆ When left in a heated room where it is warm and damp, water droplets or condensation may form inside the unit.
- ◆ When there is condensation inside the unit, the unit may not function normally.
- ◆ Let it stand for 1 to 2 hours before turning the power on, or gradually heat the room up and dry the unit before use.

Should any trouble occur, remove the power source and refer servicing to qualified personnel.

PROTECT YOUR FURNITURE!!

This system is equipped with non-skid rubber 'feet' to prevent the product from moving when you operate the controls. These 'feet' are made from non-migrating rubber material specially formulated to avoid leaving any marks or stains on your furniture. However certain types of oil based furniture polishes, wood preservatives, or cleaning sprays may cause the rubber 'feet' to soften, and leave marks or a rubber residue on the furniture.

To prevent any damage to your furniture we strongly recommend that you purchase small self-adhesive felt pads, available at hardware stores and home improvement centers everywhere, and apply these pads to the bottom of the rubber 'feet' before you place the product on fine wooden furniture.

GLOSSARY OF KARAOKE

In addition to all of the terminology associated with consumer electronics products, a few additional terms are used almost exclusively in karaoke. These terms are meant to familiarize you with the world of karaoke. The features listed below may not necessarily apply to the particular model that you have. Following are some brief explanations:

Echo:

Echo adds depth and resonance to a singer's voice, without affecting the music. This echo is produced by creating minor controlled feedback in the singer's voice.

CDGMs (Compact Disc Plus Graphics Multiplex):

They are CD's that contain songs that include the lead singer's voice, which can be removed with a karaoke system that has a balance or multiplex control. The idea is to sing along with the lead singer or replace the lead singer's voice with yours. Background vocals and backup singers are provided.

Automatic Voice Control (AVC):

When the AVC function is activated, the vocals on a multiplex recording are eliminated as soon as the singer begins singing into the microphone. When the singer stops singing, the vocals on the multiplex recording are automatically re-activated. This useful function is used primarily during practice sessions while a singer is learning a song. Please note that the AVC function only works with multiplex recordings and not with standard audio recordings.

CD+G:

This is an acronym for Compact Disc plus Graphics. You will also see variations CD+G and CD+Graphics. This is a regular CD with information stored on a data track simultaneous to music. CD+G has video output for simple graphics (not full motion video). In the case of karaoke, the graphics function is used to store song lyrics and display the lyrics in sync with music. In most cases, CD+G software displayed lyrics change color as they are to be sung. A regular television with a video-in RCA jack is all that is required to display CD+G lyrics.

INTRODUCTION

Your CD+Graphics Karaoke System will provide you with many years of fun and entertainment. It makes you a "star" as you sing along with your favorite karaoke discs and hear your voice with the music through the system's speakers.

This Karaoke System has a compact design and is full of features yet it is easy to use. Just a few simple instructions and you will become an expert.

Before using your unit, please read this manual to familiarize yourself with all the features available and the sections of the manual that describe their operations. Next go to the section for the specific operation you wish to perform.

For your easy reference, listed here are some of the main features of this Karaoke System.

Lyrics on TV screen - displays lyrics in rhythm with the music when playing CD+G discs.

Balance Control - lets you adjust the balance between the pre-recorded original singer's voice and the music if you use a multiplex karaoke disc.

Automatic Voice Control (AVC) - lets you replace the original singer's voice with your own voice when any pre-recorded multiplex karaoke disc is played. To activate, just adjust the Mic Volume and Auto Voice Control for the best balance between playback and microphone levels.

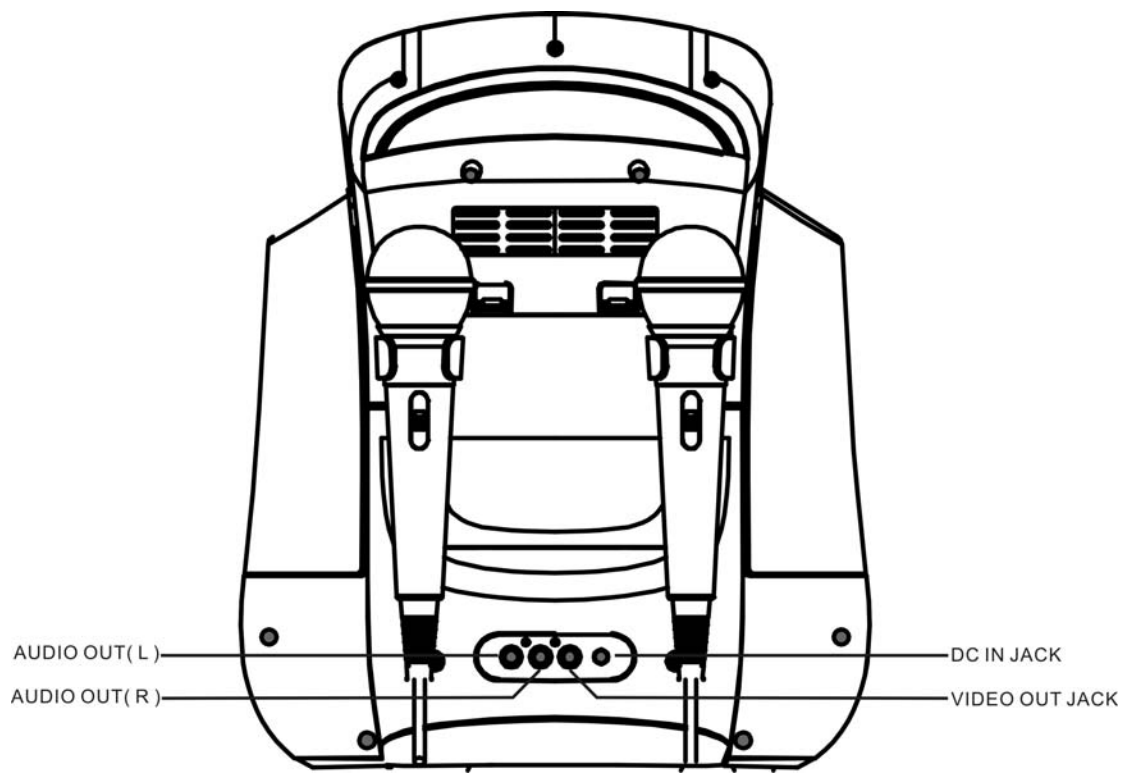
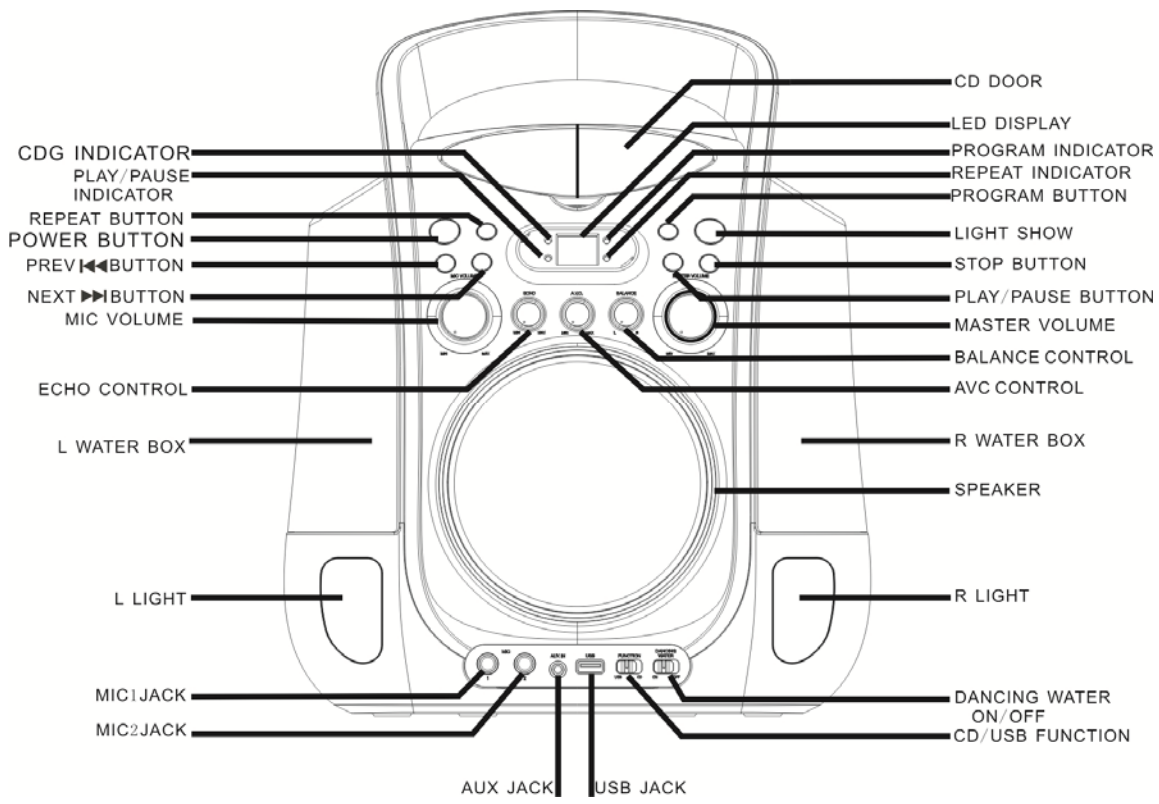
Echo Control - lets you add echo to enrich your voice for a concert hall effect.

Built-in Speakers - lets you share the music with your family and friends.

Audio Out Jacks - lets you connect to another audio output component, such as an equalizer/booster or a PA system.

Video Out Jacks - lets you connect to your TV/monitor for displaying the lyrics from CD+G discs.

CONTROL LOCATIONS

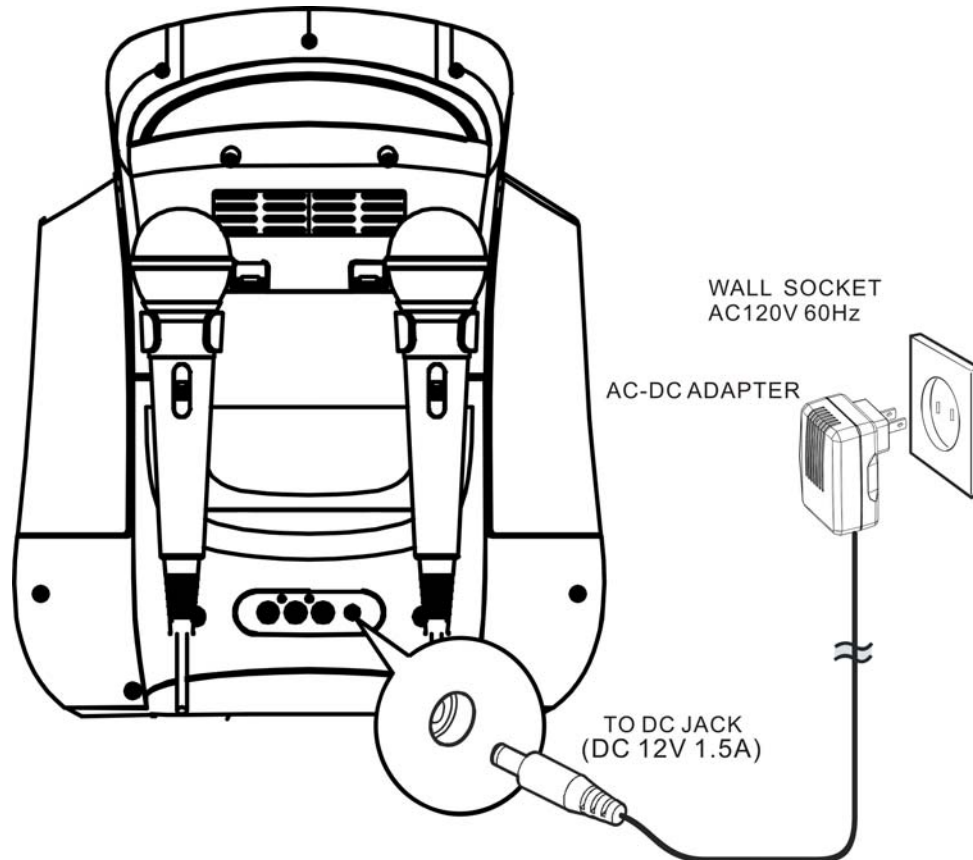


SETTING UP FOR OPERATION

CONNECTING POWER

Plug the supplied AC adapter into the DC jack on the rear side of the unit and connect to a standard AC wall socket with 120V~ 60Hz continuous power supply.

Note: When the unit is not operated for long periods of time, unplug the AC adapter from the unit and wall outlet.



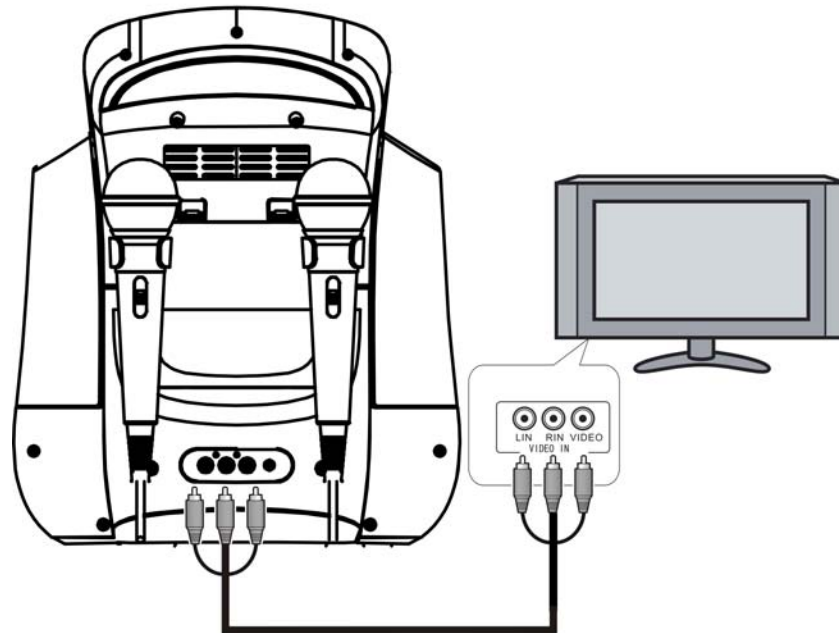
CONNECTING TO YOUR TV

The karaoke system provides a patch cord to give you the option of connecting your unit to an external audio/video device. The patch cord has three RCA jacks at each end. White and Red are for left and right audio connections and the Yellow is for video. Modern flat panel digital TV sets and home music systems are usually equipped with corresponding color-coded RCA jacks to assist correct connections. Make sure that you have a CD+G disc in the karaoke system playing when you are making this connection. You will know you have the proper settings on your TV as soon as you see the lyrics on the screen.

Video connection

Please follow the steps below to display CD+G lyrics on the TV screen:

1. Locate the color-coded patch cords.
2. Connect video cable (Yellow) to the VIDEO OUT on the back of the karaoke system.
3. Connect the other end of the video cable (Yellow) to the VIDEO/AV INPUT on your TV.



If your television does not have the required Video Input, you will need a RF modulator (Radio Frequency Modulator), which connects through your TV Antenna or cable line and serves as your Video Input.

The RF Modulator can be purchased at almost any consumer electronics retailer. If you are connecting the video from the karaoke system to a television video input jack, you must specify the source the TV is to display. Your TV user guide can tell you how to display the video signal from the 'Video In' jack.

If you do not have the manual for your TV, we suggest calling the TV manufacturer's customer service department. Only the manufacturer will be able to tell you accurately how to configure your TV to display the video signal coming from the 'Video Input' jack.

Note: Some projection TV sets do not properly display the standard blue background used on most CD+G discs. If the background color is inconsistent or flashing, please try connecting your karaoke system to a standard CRT/LCD television instead.

Common ways to configure your TV

1. Your karaoke system is designed to connect to your TV. The karaoke system is constantly sending the video and audio signals to the 'VIDEO OUT' and 'AUDIO OUT' jacks whenever you play a CD+G disc. So, load a CD+G into your karaoke system before you start making these connections. You will see lyrics on the TV screen as soon as you have completed the setup correctly.
2. The setup of your TV is the most difficult part of making the connection for displaying your lyrics. In most homes, the TV has either cable connected or an antenna in use. Once you connect your karaoke system to the TV, you must 'tell' your TV to display the input from the karaoke system instead of the usual input from the cable or antenna.
3. Check your TV user manual for the easiest way to setup your particular entertainment system. If you do not have your manual, you can always call your TV manufacturer for that information or try their website for online assistance. We have listed below the most common ways of setting up a TV:

- ◆ In the setup menu for configuring the TV there may be an 'Input Selection' option where you may choose between 'Cable/Ant.', 'Video 1', or 'Video 2' etc. as the input source.
- ◆ Try looking for a 'Video' channel between the highest channel and the lowest channel on your TV (i.e. between 2 and 99 may be 'VIDEO' or 'INPUT').
- ◆ Look for buttons on the remote control for the TV you are connecting to that say 'VIDEO', 'VIDEO 1', 'AUX', 'EXT', 'LINE 1'. The 'LINE-IN' button will display the Video input source.

Audio connection

Connect the unit to your TV or home stereo system using the White and Red connections on the supplied patch cord. Plug the white end of the patch cord into the white AUDIO OUT jack on the unit. Plug the red end of the patch cord into the red AUDIO OUT jack on unit. Now connect the other end of the cable's white (left channel) and red (right channel) plugs to your TV or home stereo system's 'AUDIO IN' or 'AUX IN' jacks.

CONNECTING A MICROPHONE

1. Plug a microphone (one microphone is included) into the MIC 1 or MIC 2 JACK on the lower left side of your unit. The mic output will be mixed with an audio source from CD/CD+G/USB flash drive.
2. Slide ON/OFF switch on microphone to "ON" before singing and always slide to "OFF" after use.

CAUTION - Tapping or dropping the microphone while it is on can cause permanent damage to it. Never grip and swing the microphone around by the connecting cord.

UNDERSTANDING THE CONTROL FUNCTIONS

❖ **POWER AND PLAYBACK FUNCTIONS**

1. FUNCTION SELECTOR (CDG/USB)

- ◆ Slide the CD/USB FUNCTION switch to CD position to playback a CD, MP3, CD+G, CD-R/CD-RW disc.
- ◆ Slide the CD/USB FUNCTION switch to USB position to playback MP3 files on a USB flash drive.
- ◆ Once the AUX IN JACK is plugged into, the KN275 will automatically enter the AUX mode. You can attach other music sources (iPod, MP3 or other digital audio players) through the AUX IN JACK to your external player's audio out jack or headphone jack.

2. DANCING WATER ON/OFF

Set it to "ON" to turn ON the dancing water LED show.
Set it to "OFF" to turn dancing water LED show OFF.

3. POWER ON/OFF BUTTON.

Press this button to turn unit ON.
Press and hold this button to turn unit OFF.

4. PLAY/PAUSE ►|| BUTTON

Tap once to play a selected song when playing a CD/CD+G/CD-R/CD-RW disc or MP3 files on a USB flash drive. The PLAY/PAUSE INDICATOR will light.
While playing, tap again to pause. The PLAY/PAUSE INDICATOR will flash.

5. STOP ■ BUTTON

While a selected song is playing, tap this to stop.

6. NEXT ►► BUTTON

Tap once to skip forward to the following song during playback or stop mode.

7. PREV ◄◄ BUTTON

Tap once to skip back to the start of the current song during playback or skip back to the previous song during stop mode.

8. REPEAT/PROGRAM BUTTON

REPEAT function

During CD/CD+G/MP3 playback on CD/CD-R/CD-RW/USB Flash Drive

- ◆ tap once for Repeat 1 (REPEAT INDICATOR in LED DISPLAY will flash) to playback current song only;
- ◆ tap again for Repeat All (REPEAT INDICATOR will light steadily) to repeat all available tracks on the disc;
- ◆ tap again to cancel Repeat mode (REPEAT INDICATOR will be OFF).

PROGRAM function

This function allows music tracks to be played in a programmed sequence.

NOTE: Program function can only be set in STOP mode.

1. Press the PROGRAM button once. Program Number 01 will display and PROGRAM INDICATOR will flash.
2. Press the SKIP FORWARD or SKIP BACKWARD button to select the track to be programmed.
3. Press the PROGRAM button again to store the selection. The Program number will advance to 02 to prompt for the next input.
4. You may repeat steps #2 to #3 to program up to 20 tracks. As soon as you have entered the 20th track, the LCD DISPLAY will show “FU”, indicating that program is full.
5. Press the PLAY button to complete and start program play. Press STOP button to stop program play.
6. You may use the REPEAT function to repeatedly play a certain track (Repeat 1) or all tracks (Repeat All) in the Program Play Mode.
7. The CD player will stop when all the programmed tracks have been played through once. To repeat program play, press the PLAY/PAUSE button.
8. To cancel program play, press the STOP button twice while program play is running or open the CD DOOR in stop mode.

Up to 20 tracks can be programmed. If you attempt to program more than 20 tracks, “FU” will appear in the LED DISPLAY and “PROG FULL” will appear on the TV screen as shown below (if connected).





Program Play mode:

When finished programming, tap PLAY BUTTON to confirm and start program play. The PROG INDICATOR in the LED DISPLAY will light. While playing, you may tap the NEXT or PREV BUTTON to skip to a desired song in the program list.

To stop program play temporarily, tap the STOP BUTTON once. The PROG INDICATOR in the LED DISPLAY and TV screen (as shown below) will remain ON.



Tap PLAY BUTTON to resume program play.

Note: if you tap the STOP BUTTON twice consecutively, you will cancel program play and erase the program list permanently. The PROG INDICATOR in the LED DISPLAY and TV screen will go OFF.

Program Review:

In stop mode, you can review the program list by pressing the NEXT or PREV BUTTON.

❖ **INPUT FUNCTIONS**

9. DC JACK

Connect the DC plug of the DC12V output AC Adapter (included) to this jack.

10. USB JACK

Connect a USB flash drive (FAT32 formatted) up to 32GB (not included) to this jack for playback of MP3 files.

11. AUX IN JACK

Connect the 3.5mm stereo plug of a stereo audio cable (not included) to this jack and the other end to an external audio player for playback.

12. MIC 1 / MIC 2 JACKS

Connect the microphone (one included) to either one of the jacks to sing.

❖ OUTPUT FUNCTIONS

13. VIDEO OUT JACK

Connect the yellow coded RCA plug of the A/V cable (included) to this jack and the other end to the VIDEO/AV INPUT of your TV.

14. AUDIO OUT JACKS (L/R)

Connect the white coded RCA plug (L) and red coded plug (R) of the A/V cable (included) to these jacks and the other end to the audio inputs of your TV.

15. SPEAKER

There is one built-in speaker for this unit.

❖ KARAOKE CONTROL FUNCTIONS

16. MASTER VOLUME

Adjust this to obtain the desired volume level from the built-in speaker.

17. BALANCE CONTROL

Adjust this to obtain the optimum music and vocal levels while playing a CD+G or file or as left (L) and right (R) channel balance while playing ordinary stereo sound tracks of CD or MP3.

18. AVC (AUTOMATIC VOICE CONTROL)

Adjust this to obtain the desired AVC sensitivity.

When you rotate clockwise to increase the sensitivity, the vocals on a multiplex recording are eliminated as soon as the singer begins singing into the microphone. When the singer stops singing, the vocals on the multiplex recording are automatically re-activated. This function is used primarily during practice sessions.

19. MIC VOLUME

Adjust this control to obtain the desired mic volume output during singing.

Volume level of both Mic 1 and Mic 2 will be adjusted at the same time.

20. ECHO CONTROL

Turn this control clockwise for a more significant echo effect to enrich your voice for a concert hall effect.

HOW TO SING WITH CD+G, USB OR AUX-IN MUSIC SOURCE

GETTING PREPARED FOR YOUR SINGING SESSION

You will need to do the following things:

- ◆ Connect your unit to a compatible TV using the included A/V cable.
- ◆ Plug in the included MICROPHONE into either the MIC 1 or MIC 2 JACK.
Note: Always set the mic to OFF until you are ready to sing to avoid possible sharp feedback noises.

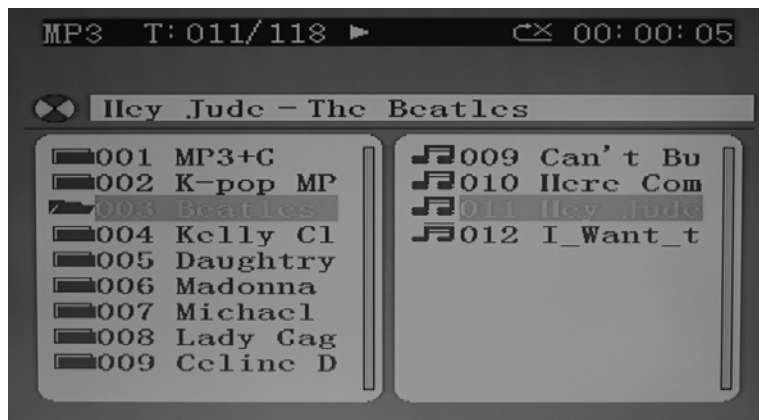
SINGING ALONG WITH CD+G, CD, CD-R/CD-RW OR USB FLASH DRIVE WITH MP3 FILES

1. Set the FUNCTION SELECTOR to "CD".
2. Load a CD/CD+G disc as follows:
 - a) Grip the top front edge on the CD DOOR where indicated and pull gently to open it. The LED DISPLAY will display "OP".
 - b) Load a disc vertically into the compartment with the printed side facing you.

- c) Gently close the CD DOOR. The unit begins to read the disc. The LED DISPLAY will display the total number of tracks. (If no disc is loaded or the disc cannot be recognized, "No" will be displayed in the LED DISPLAY).
 - d) When a CD+G disc is detected and being played, the CDG INDICATOR in the LED DISPLAY will light.
3. Press PLAY/PAUSE BUTTON to play the disc. If a CD+G track is being played, the following TV screen will appear.



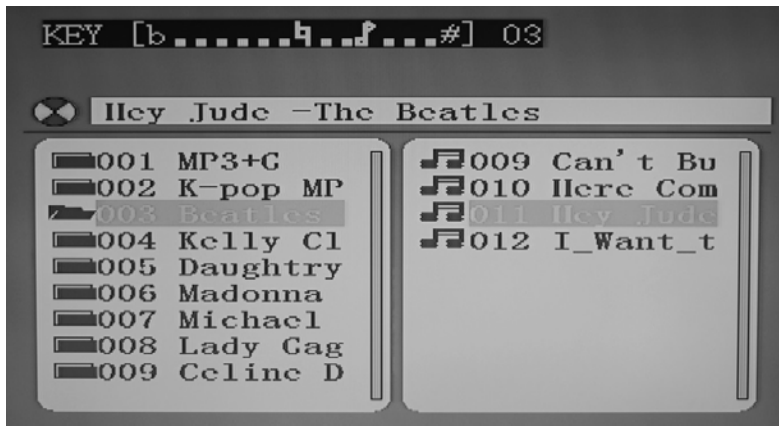
NOTE: If you try to play a self-compiled CD-R/RW disc or USB flash drive with MP3 songs (both are not included), you will see the following menu instead.



On the top line of the menu, "T: 011/118 means track #11 out of total 118 tracks is now playing. The elapsed time of current track is shown on the right.

- ◆ If the number of songs on the disc/USB drive is more than 99, the 10th digit of LED DISPLAY will show letter A to F (A=10, b=11, C=12, d=13, E=14 & F=15). For example, if it contains "118" songs, "b8" will show on the LED DISPLAY. If the number of songs on the disc/USB flash drive is over 159, the LED DISPLAY will show 99.
- ◆ However, if you have connected to a TV, full disc content information will be shown as on page 11.
- ◆ All basic play/pause, stop and skip controls are identical to CD mode.



4. Select your favorite song using the NEXT ►► / PREV ◀◀ BUTTON.
5. Tap PLAY/PAUSE ►|| BUTTON to start playing.
6. Turn ON your microphone and starting singing. Adjust the MASTER VOLUME, MIC VOLUME and TV VOLUME if necessary.



① PLEASE READ THIS IMPORTANT INFORMATION

CD mechanisms used in devices like this are designed to fully read all commercial CDs. They will also read self-compiled CD-R/CD-RW discs but it may take up to 10 seconds for playback to start. If playback does not start, it is likely due to the quality of the CD-R/CD-RW disc and/or the compatibility of the CD compilation software. Manufacturer is not responsible for the playback quality of CD-R/CD-RW discs.

Do not attach a label or seal to either side of the CD-R/CD-RW disc. It may cause a malfunction.

This unit is designed to play CDs bearing the identification logo  or . If CDs do not conform to the CD standard, they may not play properly.

① NOTES ON CD, CD+G, CD-R/RW OPERATION

- ◆ Do not apply excessive force or press the CD DOOR while it is playing.
- ◆ Never place anything except a compact disc in the disc compartment. Foreign objects can damage the unit.
- ◆ Only load one disc into the disc compartment at a time.

SINGING ALONG FROM AUX INPUT SOURCES

This karaoke unit features an AUX-IN jack for connecting your iPod, MP3 player or other digital music player.

1. Connect the headphone jack of your external device to the AUX IN jack located on the lower side of this unit (The connection cable is not included).
2. Turn on the unit player and it will enter the AUX function mode once an external device is plugged into the AUX IN jack.
3. Connect the line out or headphone jack of your external audio device (e.g. a CD player, MP3 player, iPhone, iPod, etc...) to the unit with a suitable audio cable (not included).
4. Select your favorite song on your external audio device to play. You may need to adjust the output volume of your external audio device if the headphone jack is used for making the connection.

5. Turn on your microphone and start singing. Adjust the MASTER VOLUME and/or MIC VOLUME if necessary.
6. You may also use the BALANCE and ECHO CONTROLS to enhance your singing experience.
7. Turn off both devices after use.

NOTE: Once the AUX IN jack has been plugged into, the unit automatically enters the AUX mode no matter what position the Function Selector is in. Remember to disconnect the Aux In cable from the unit after use in order to listen to the CD or USB input again.

USING THE UNIT AS A PUBLIC ADDRESS SYSTEM

This unit can also be used as a PA (Public Address System).

Note: To prevent feedback or whistling from occurring, please be sure that the microphone is not held too close to unit's speaker.

1. With unit stopped at CD or USB mode, unplug any 3.5mm audio cable (not included) connected to the AUX IN JACK previously.
2. Turn on your MICROPHONE (one included) and start your performance. Adjust the MASTER VOLUME, MIC VOLUME and ECHO control if necessary.

LED LIGHT SHOWS

- ◆ The LED light shows inside the speaker and in the lower corners of the unit are created automatically based on the music source being played at the time
- ◆ To turn off the LED light show, press and hold the LIGHT SHOW button.
- ◆ To turn on the LED light show, press LIGHT SHOW button again.

Note: If the brightness is glaring, turn on room lights or turn off LED light show

DANCING WATER LED LIGHT SHOW

- ◆ The dancing water LED light show is created automatically based on the music source being played at the time
- ◆ To turn on the Dancing Water LED light show, slide the DANCING WATER switch to ON position.
- ◆ To turn off the Dancing Water LED light show, slide the DANCING WATER switch to OFF position.

TROUBLESHOOTING GUIDE

If you have followed the instructions and are having difficulty operating the unit, locate the PROBLEM in the left column below. Check the corresponding POSSIBLE CAUSE and SOLUTION columns to locate and fix the problem.

PROBLEM	POSSIBLE CAUSE	SOLUTION
No power when POWER ON/OFF BUTTON is pressed	DC plug of the AC adapter is not plugged into the DC JACK properly.	Re-insert the DC plug of the AC adapter properly.
No power when plugged in	The AC outlet may not have power.	Check the outlet with a working lamp or other electrical appliance.
No sound	MASTER VOLUME of this unit is set to minimum.	Turn up the MASTER VOLUME.
	Volume control on TV set/PA system is set to minimum.	Turn up the volume of the TV/PA system.
	TV set/PA system power is OFF.	Turn ON the power of TV/PA system.
CD player of Karaoke System does not work normally or the "No" appears on the LED DISPLAY.	Disc is inserted upside down.	Insert disc correctly.
	Disc is dirty.	Wipe it clean with soft cloth.
	Disc is scratched.	Use a new disc.
	Disc is warped.	Use a new disc.
	A non-standard disc is inserted.	Only use compatible discs mentioned in this manual.
	Lens is dirty.	Clean the optical pickup with a CD lens cleaner.
	Moisture has condensed inside the CD deck.	Wait about 20 to 30 minutes to let it dry out.
No sound - If audio is going through TV/ home stereo	Karaoke system needs to be reset.	Disconnect the machine from power source for 30 seconds.
	Source Selection on your TV/home stereo is not set properly.	Select AV INPUT as the source for your TV/home stereo.
No song lyrics appear on the TV screen	Improper connection to stereo system or PA.	Follow directions on 'Audio Connection' section for connecting to a home stereo system.
	Video cable is not connected properly to the TV.	Connect the video cable to the VIDEO OUT of the unit and to the TV's Video In jack.
	Source selector on TV is not set to VIDEO or A/V IN.	Use your TV Remote to select VIDEO or A/V input.
	TV does not have video line input.	Connect from VIDEO OUT of the unit to a RF modulator and then to the TV cable input.
No image on TV screen	A CD+G disc is loaded but the CDG indicator is not lit.	Check the disc to be sure it is a CD+G. Check disc to ensure it is clean.
	TV input is not properly set.	Set TV input to correct A/V input that is connected to the unit.
Cannot sing through the mic	Improper mic volume setting.	Adjust MIC and MASTER VOLUME CONTROLS to appropriate levels.
	Mic is off.	Turn on mic with the ON/OFF switch located on the microphone.
	Mic is not properly plugged in.	Insert the mic plug fully into either MIC 1 or MIC 2 JACK of the unit properly.

CARE AND MAINTENANCE

1. Clean your unit with a damp (never wet) cloth. Solvent or detergent should never be used.
2. Avoid leaving your unit in hot, humid or dusty places.
3. Keep your unit away from heating appliances and sources of electrical noise such as fluorescent lamps or motors.

HANDLING CD DISCS

- ◆ If drop-outs or interruptions occur in the music during CD play, or if the CD fails to play at all, its bottom surface may require cleaning. Before playing, fingerprints and dust should be carefully wiped off with a soft cloth. Wipe in a straight motion from the center of the disc to the outside edge with a good soft cleaning cloth.
- ◆ Never use chemicals, such as record cleaning sprays, antistatic sprays or fluids, benzene or thinner to clean compact discs. These chemicals will permanently damage the plastic surface of the disc.
- ◆ Always install the compact disc securely on the disc clampers with the label side facing up. Compact discs can be played on only one side.
- ◆ To remove a disc from its storage case, press down on the center of the case and lift the disc out, holding it carefully by the edges.
- ◆ Discs should be returned to their cases after use to protect them from dust and scratches.
- ◆ To prevent warping the disc, do not expose it to direct sunlight, high humidity or high temperature for extended periods of time.
- ◆ Do not apply adhesive labels or write anything on either side of the disc. The inks used in some felt-tips pens may damage the surfaces of the disc.



SPECIFICATIONS

AC Operation	AC/DC adapter (Included) Input AC 100 – 240V ~ 50/60Hz Output DC 12V === 1.5A
Battery Operation	8 x "C" (UM-2) (Not included)
Speaker Output	4W (rms)
Video Output	NTSC composite (RCA)
USB Flash Drive Support	Max 32 GB (FAT32 formatted)
Microphone Jacks (x2)	Each 6.3 mm (mono)
AUX IN Jack (x1)	3.5 mm (stereo)
Compact Disc Support	CD/CD+G/CD-R/CD-RW
USB file types	MP3

Karaoke Night products are designed and engineered by Marino Andriani, LLC

90 DAY LIMITED WARRANTY AND SERVICE VALID IN THE U.S.A. ONLY

SPECTRA MERCHANDISING INTERNATIONAL, INC. warrants this unit to be free from defective materials or factory workmanship for a period of 90 days from the date of original customer purchase and provided the product is utilized within the U.S.A. This warranty is not assignable or transferable. Our obligation under this warranty is the repair or replacement of the defective unit or any part thereof, except batteries, when it is returned to the SPECTRA Service Department, accompanied by proof of the date of original consumer purchase, such as a duplicate copy of a sales receipt.

You must pay all shipping charges required to ship the product to SPECTRA for warranty service. If the product is repaired or replaced under warranty, the return charges will be at SPECTRA's expense. There are no other express warranties other than those stated herein.

This warranty is valid only in accordance with the conditions set forth below:

1. The warranty applies to the SPECTRA product only while:
 - a. It remains in the possession of the original purchaser and proof of purchase is demonstrated.
 - b. It has not been subjected to accident, misuse, abuse, improper service, usage outside the descriptions and warnings covered within the user manual or non-SPECTRA approved modifications.
 - c. Claims are made within the warranty period.
2. This warranty does not cover damage or equipment failure caused by electrical wiring not in compliance with electrical codes or SPECTRA user manual specifications, or failure to provide reasonable care and necessary maintenance as outlined in the user manual.
3. Warranty of all SPECTRA products applies to residential use only and is void when products are used in a nonresidential environment or installed outside the United States.

This warranty gives you specific legal rights, and you may also have other rights which vary from state to state. TO OBTAIN SERVICE please remove all batteries (if any) and pack the unit carefully and send it freight prepaid to SPECTRA at the address shown below. IF THE UNIT IS RETURNED WITHIN THE WARRANTY PERIOD shown above, please include a proof of purchase (dated cash register receipt) so that we may establish your eligibility for warranty service and repair of the unit without cost. Also include a note with a description explaining how the unit is defective. A customer service representative may need to contact you regarding the status of your repair, so please include your name, address, phone number and email address to expedite the process.

IF THE UNIT IS OUTSIDE THE WARRANTY PERIOD, please include a check for **\$40.00** to cover the cost of repair, handling and return postage. All out of warranty returns must be sent prepaid.

It is recommended that you contact SPECTRA first at 1-800-777-5331 or by email at custserv@spectraintl.com for updated information on the unit requiring service. In some cases the model you have may be discontinued, and SPECTRA reserves the right to offer alternative options for repair or replacement.

SPECTRA MERCHANDISING INTERNATIONAL, INC.
4230 North Normandy Avenue,
Chicago, IL 60634, USA.
1-800-777-5331

To register your product, visit the link below to enter your information.
<http://www.spectraintl.com/wform.htm>

Licensed by:
Marino Andriani, LLC
Distributed by:
Spectra Merchandising International, Inc.
4230 North Normandy Avenue
Chicago, IL 60634, USA
www.spectraintl.com

0815

Printed in China